

---

---

May 2006

Rock River Valley Section

ieee.flask.com

Event

Sense

The Institute of Electrical and Electronic Engineers, Inc.

---

---

RRV Section Picnic and 2007 Section Officer Elections

## Annual Section Picnic and Election

When May 25, 2006

### Where

Hamilton Sundstrand Park,  
North Pavillion 2 (see map on  
page 2), on Newburg Road  
north of the Chrysler Plant in  
Belvedere.

### Agenda

- 6:00 PM Networking
- 6:30 PM Dinner
- 7:30 PM Elections

### Program

Picnic and RRVS officers elec-  
tion. Members and friends are  
cordially invited to attend the  
Annual RRVS Section Picnic  
on May 25, 2006. The RRVS  
will provide the food and drink  
**FREE OF CHARGE TO IEEE  
MEMBERS.** In addition, 2007  
RRVS elections will be held.

### Meal/Reservations

Dinner will be **steak, chicken  
or veggie burgers**; vegeta-  
bles, corn on the cob, fruit, pop,  
dessert and much more!  
Please make your **dinner res-  
ervations** by calling Ginger at  
**815-394-5696** or sending her  
an email ([ginger.spinasanta@hs.utc.com](mailto:ginger.spinasanta@hs.utc.com)) by **Tuesday,  
May 23, at noon.** Please in-  
clude the following information:  
your dinner choice (steak,

## THE MEAL IS ON US!

(For IEEE Members)

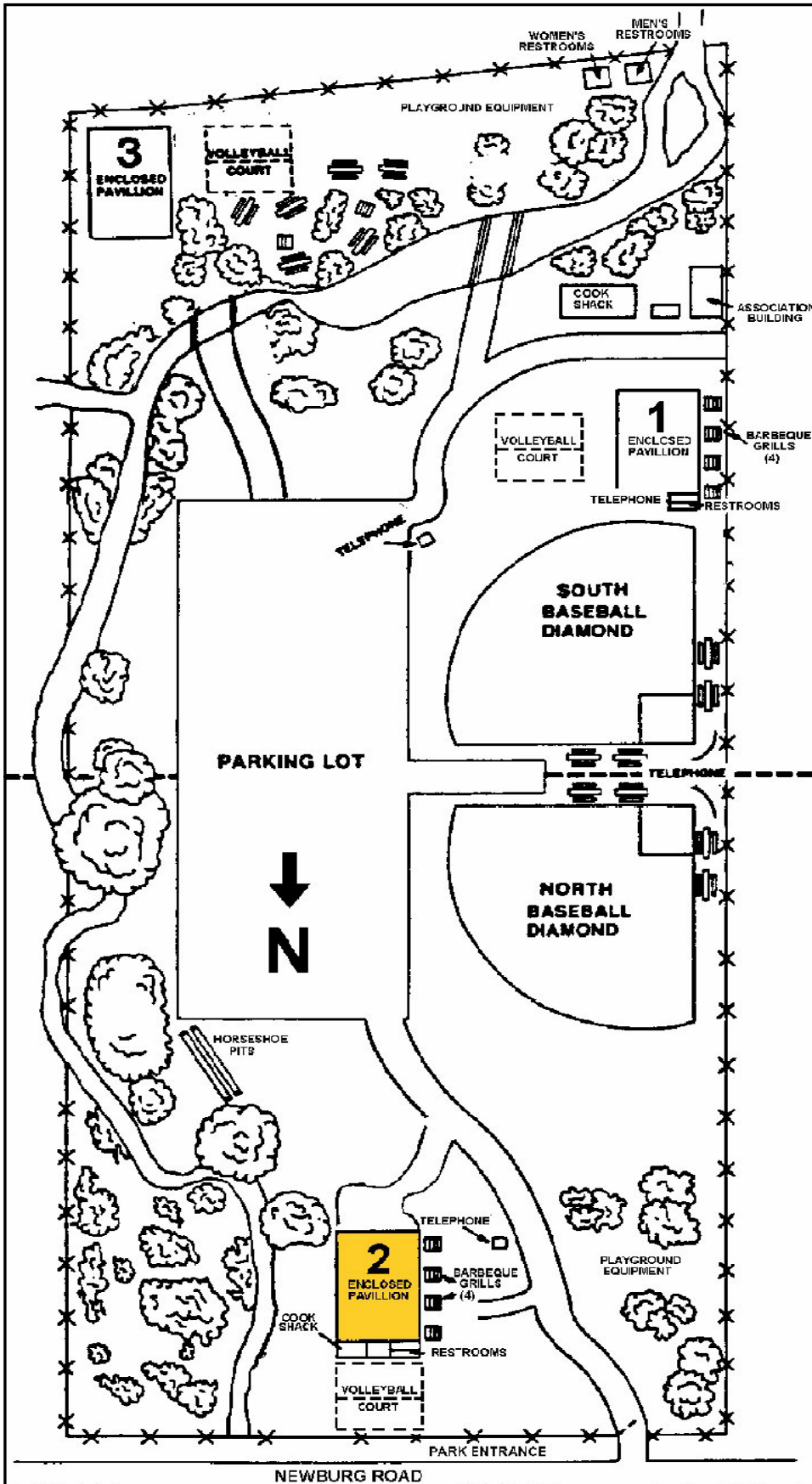
chicken, or veggie bur-  
ger), name, phone num-  
ber, email address, and  
IEEE member number.  
Dinner is **FREE** for  
members and student  
members, \$16 for non-  
members and \$7 for  
non-member students.  
**IEEE MEMBERS WHO  
ARE NEW AS OF FEB  
1, OR THOSE WHOSE  
MEMBERSHIP HAD  
LAPSED AND WHO  
SUBSEQUENTLY RE-  
NEWED AFTER FEB 1,  
MUST BRING THEIR  
2006 IEEE MEMBER-  
SHIP ID TO SHOW  
PROOF OF ACTIVE  
MEMBERSHIP.** Unem-  
ployed members may  
call one of the officers  
for special arrange-  
ments.

### Note

The meeting is open to  
the general public. You  
need not be an IEEE member. Guests are welcome. However,  
please call to enable us to make appropriate arrangements.



# Hamilton Sundstrand Park



## Chicago/Rockford IEEE Consultants Network Mtg

The next meeting will be on Monday, May 22, 2006. The optional informal dinner is at 6:15 PM at Bakers' Square (270 E. Northwest Highway and North Court), and the meeting at 7:30 PM at the Palatine Public Library (700 North Court, Palatine, IL. Joe Auer will speak on "How to Set Your Consulting Fees". Go to <http://www.drblank.com/coaction.htm#meeting> for info.

## April Tour Recap

RRVS members were treated to an excellent tour and supporting presentations from an impressive team of professionals at the Byron Nuclear Generating Station in Byron, IL. Readers may download copies of the technical presentations from the RRVS Newsletter web page: <http://ieeeflask.com/rrvs/newsltr06.htm>.

## US Nuclear Power Plants



## Byron Station Facts

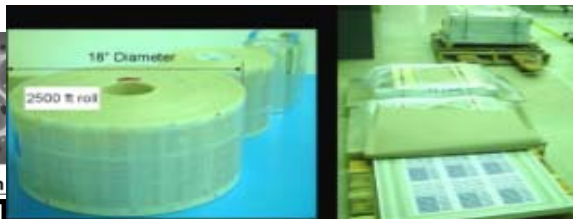
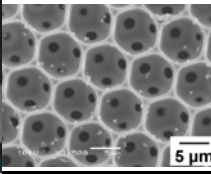
- Groundbreaking – 1975
- Unit 1 online – September 1985
- Unit 2 online – August 1987
- Each unit generates approximately 1200 megawatts
- Licensed for 40 years / can seek 20-year ext.
- Currently 700 Exelon employees
  - Additional 150+ permanent contractors
  - 1,000+ more during refueling outages

## Submissions to Event Sense

Send articles and job ads to the *Event Sense* editor, Bob Parro, via e-mail. Please make submissions by the twenty-fifth of the month. All submissions are subject to editing for style, clarity, and space considerations.

e-mail: [b.parro@ieeeflask.com](mailto:b.parro@ieeeflask.com)

# 2005/2006 YEAR-IN-REVIEW



**September 2005**  
 Paul J.A. Kenis, assistant Professor Dept of Chemical & Biological Engineering at Univ of Illinois, spoke about Fuel Cells & Fuel Reformers for Portable Power Sources.

**October 2005**  
 Daniel Gamota, senior Motorola manager, discussed Printing Consumer Electronic Products Using Traditional Graphic Arts Printing Platforms.

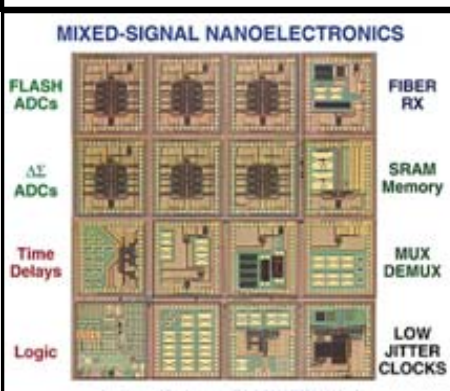
**November 2005**  
 Biswa Datta, NIU Distinguished Research Professor, presented Active Vibration Control in Structural Dynamics.



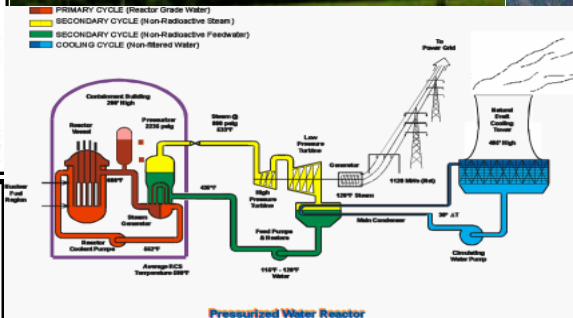
**January 2006**  
 Annette Muetze, Asst Prof of Electrical and Computer Engineering, Univ of Wisconsin-Madison, discussed Electric Drive Inverter-Induced Bearing Failure Mitigation.



**February 2006**  
 Mike Zolidis, Chief Engineer, Hamilton Sundstrand Electric Systems, and Director Electric Systems 787 Programs, gave an informative talk on Ram Air Turbine (RAT) Emergency Aircraft Power.



**March 2006**  
 Professor Wolfgang Porod, Director of Notre Dame's Center for Nano Science and Technology, discussed Emerging Nanotechnology Device and Circuit Technologies, and practical modern applications of Nanotechnology.



**April 2006**  
 Byron Nuclear Generating Station control room simulator and training building tour and presentation was hosted by the engineering and communications management teams.

**May 2006**  
 Annual picnic and election of RRVS officers at Hamilton Sundstrand Park in Belvidere features steak, chicken and veggie burgers on the grill.



**Rock River Valley Section**  
Established 1947

**IEEE Personal E-Mail Alias Service  
with Free Virus Scanning**

The IEEE now offers an **Alias Service** in which all IEEE **members** can register a **personal alias** of their choice, which will forward E-Mail to their real internet e-mail address. Go to:

[elecomm.ieee.org/personal-aliases.shtml](http://elecomm.ieee.org/personal-aliases.shtml)

**Update Your Own IEEE Member Contact Info  
Online**

[services1.ieee.org/membersvc/coa/intro.htm](http://services1.ieee.org/membersvc/coa/intro.htm)

**Electronic IEEE Membership Application**

[www.ieee.org/join.html](http://www.ieee.org/join.html)

**Calendar**

**May Section Picnic/Elections ..... May 25**

Annual RRVV Section Picnic and 2007 Officer Elections at Hamilton Sundstrand Park in Belvedere, IL

**September Section Meeting ..... September 28**

Topic and Speaker TBD at Rock Valley College in Rockford, IL

**October Section Meeting ..... October 26**

Topic and Speaker TBD at Rock Valley College in Rockford, IL

**November Section Meeting ..... November 30**

Topic and Speaker TBD at NIU Engineering Building in DeKalb, IL



Joint Computer/  
Control Systems  
Society Chapter  
Established 1995



Industry  
Applications  
Society Chapter  
Established 1992



Power  
Electronics  
Society Chapter  
Established 1996

Non-profit Org.  
U.S. Postage  
**PAID**  
Rockford, IL  
Permit No.496

**Time-Sensitive Material**

*Inside This Issue*

- May Section Meeting Notice ..... 1
- Hamilton Sundstrand Park Map ..... 2
- April RRVV Meeting Recap ..... 2
- Chicago/Rockford IEEE Consultants Meeting ..... 2
- 2005/2006 RRVV Meetings Year-In-Review ..... 3
- Calendar ..... 4